

# 13<sup>th</sup> Annual Mine Rescue Competition

Saturday, 18 May 2019



Center for Applied Research and Technology, Inc.

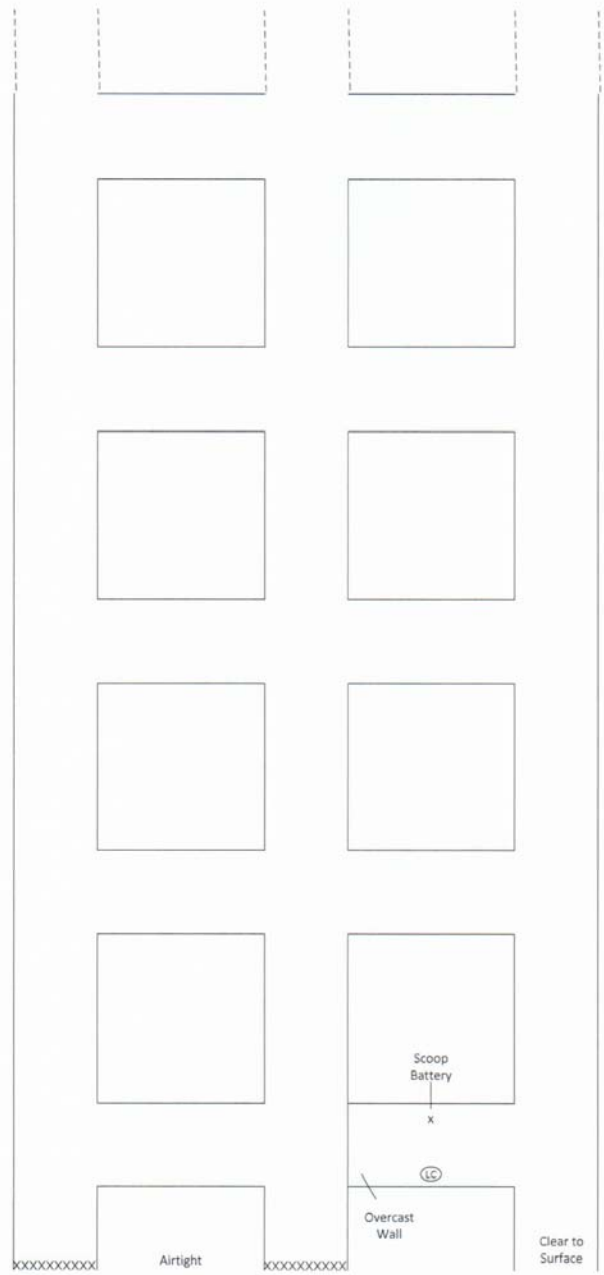


Working Order: \_\_\_\_\_

2019 Welch Post 1

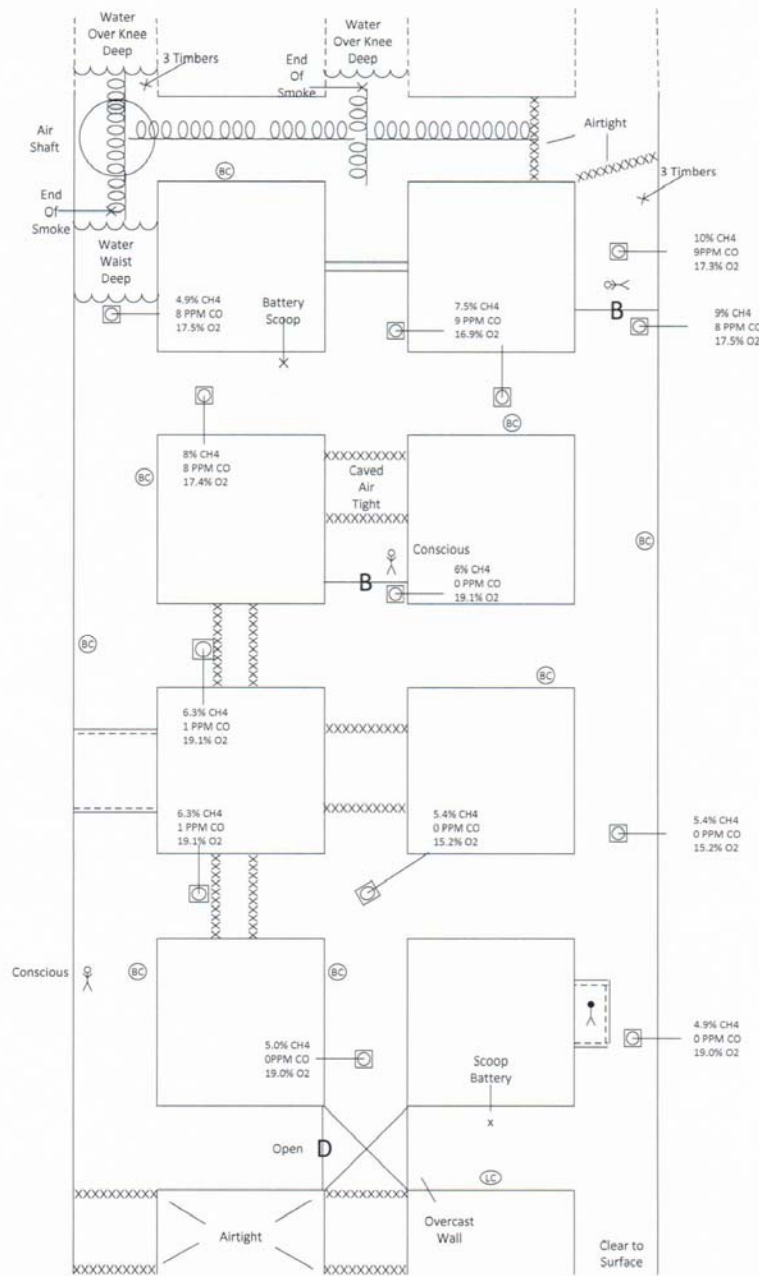
Team Map

Field

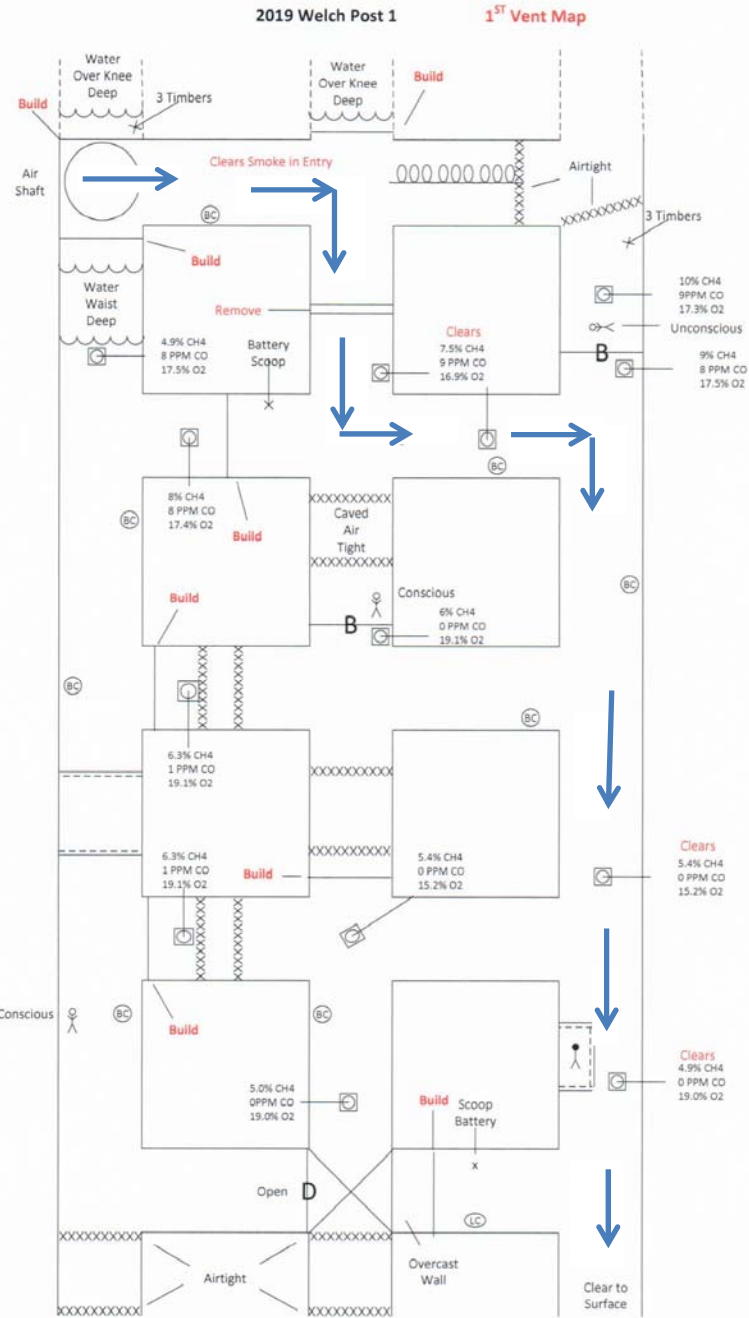


# 13<sup>th</sup> Annual Mine Rescue Problem

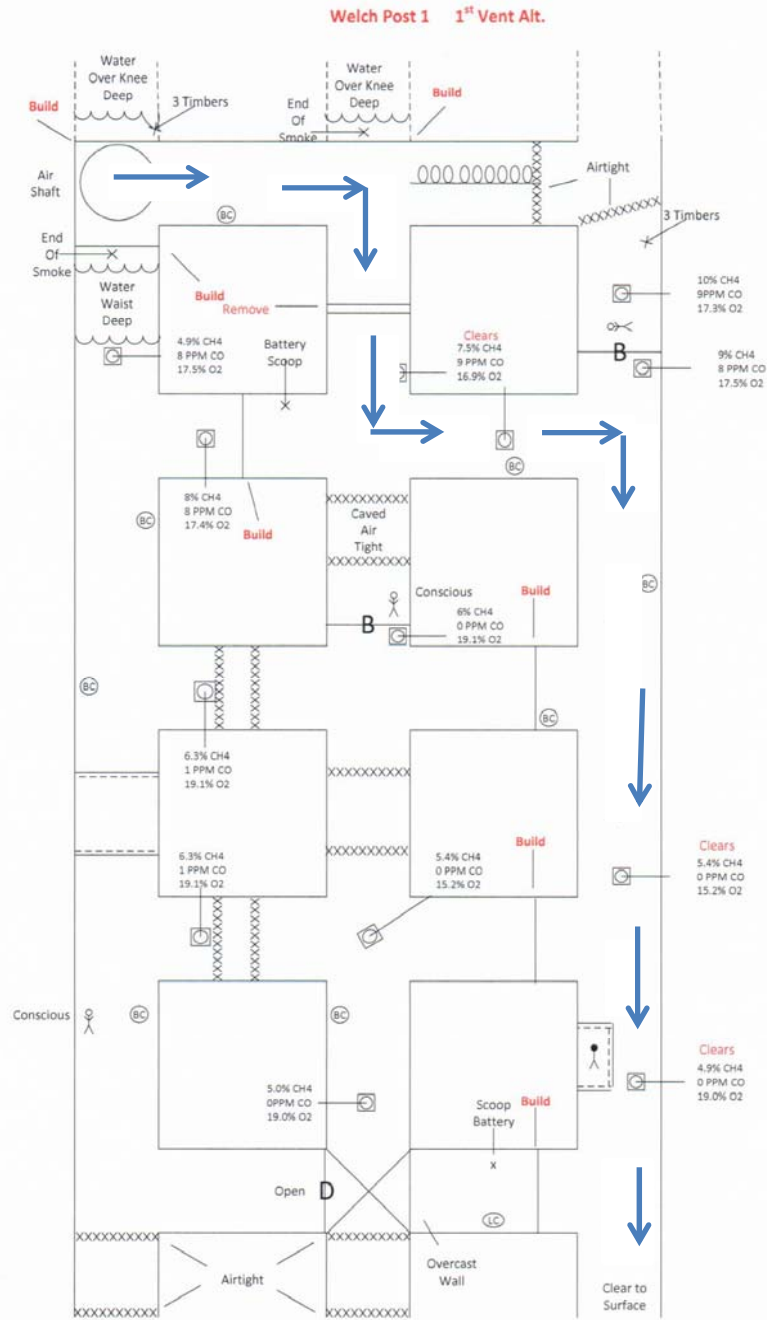
2019 Welch Post 1 Problem



# 1st Ventilation

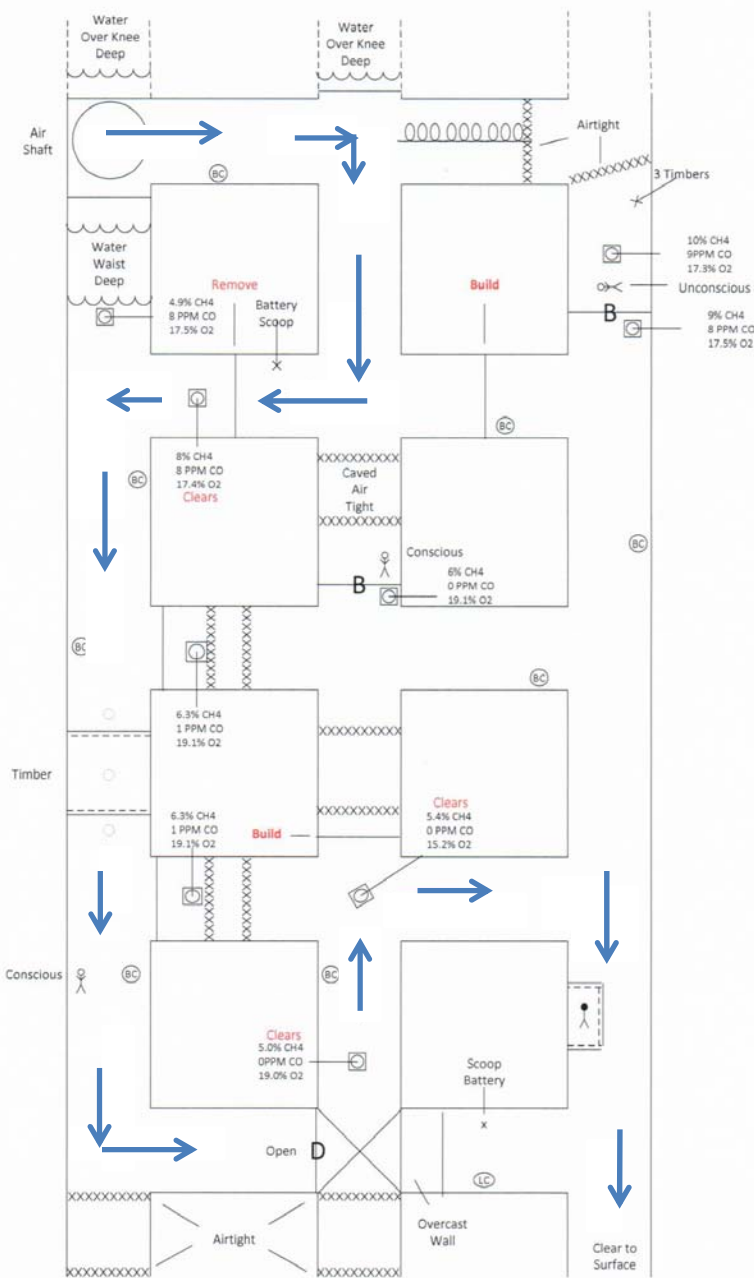


# 1st Ventilation Alt

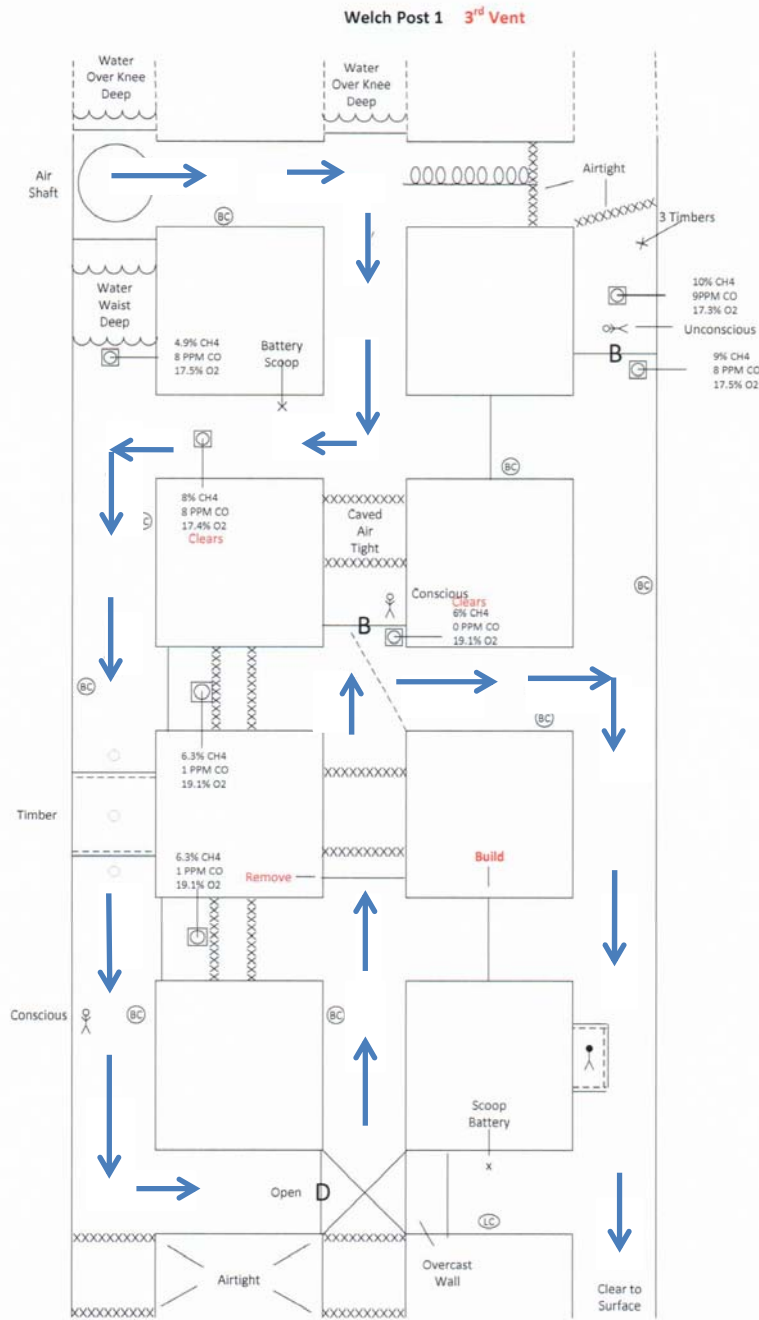


# 2<sup>nd</sup> Ventilation

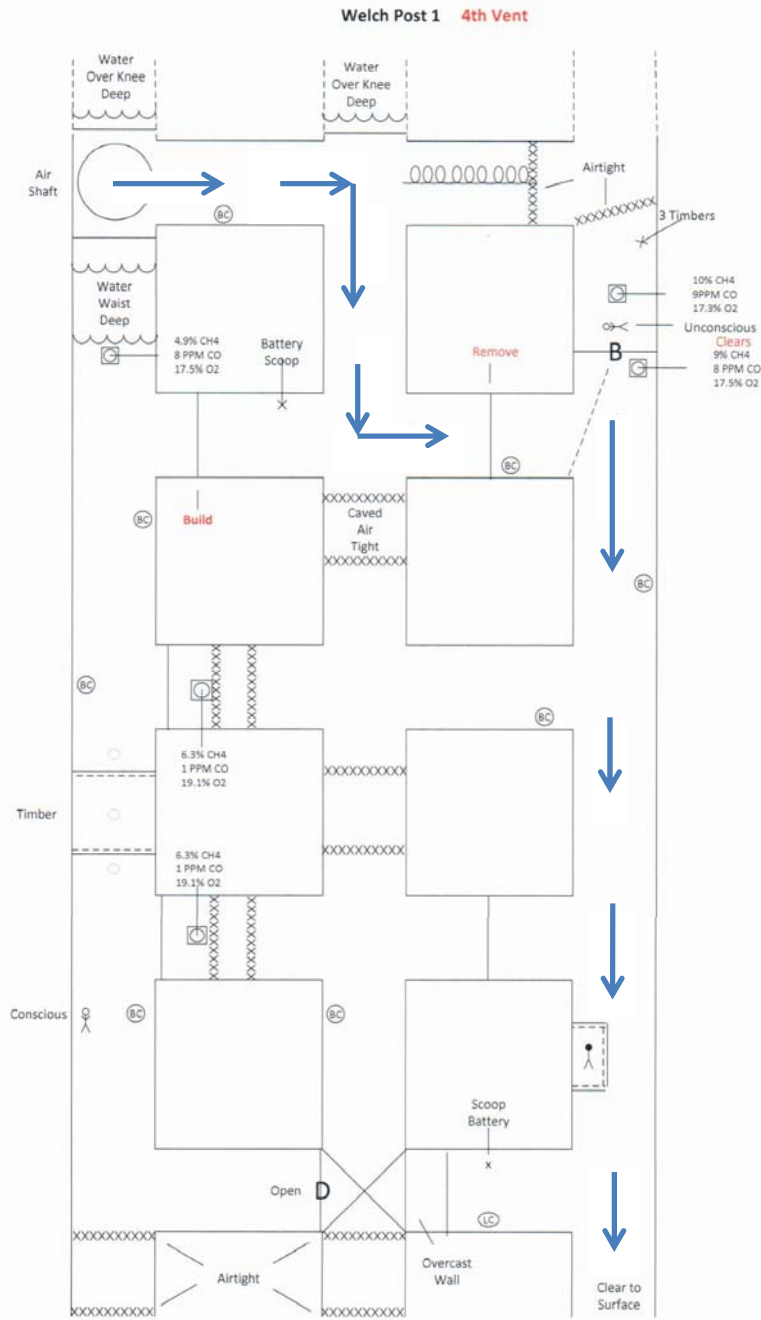
2019 Welch Post 1 2<sup>nd</sup> Vent



# 3<sup>rd</sup> Ventilation

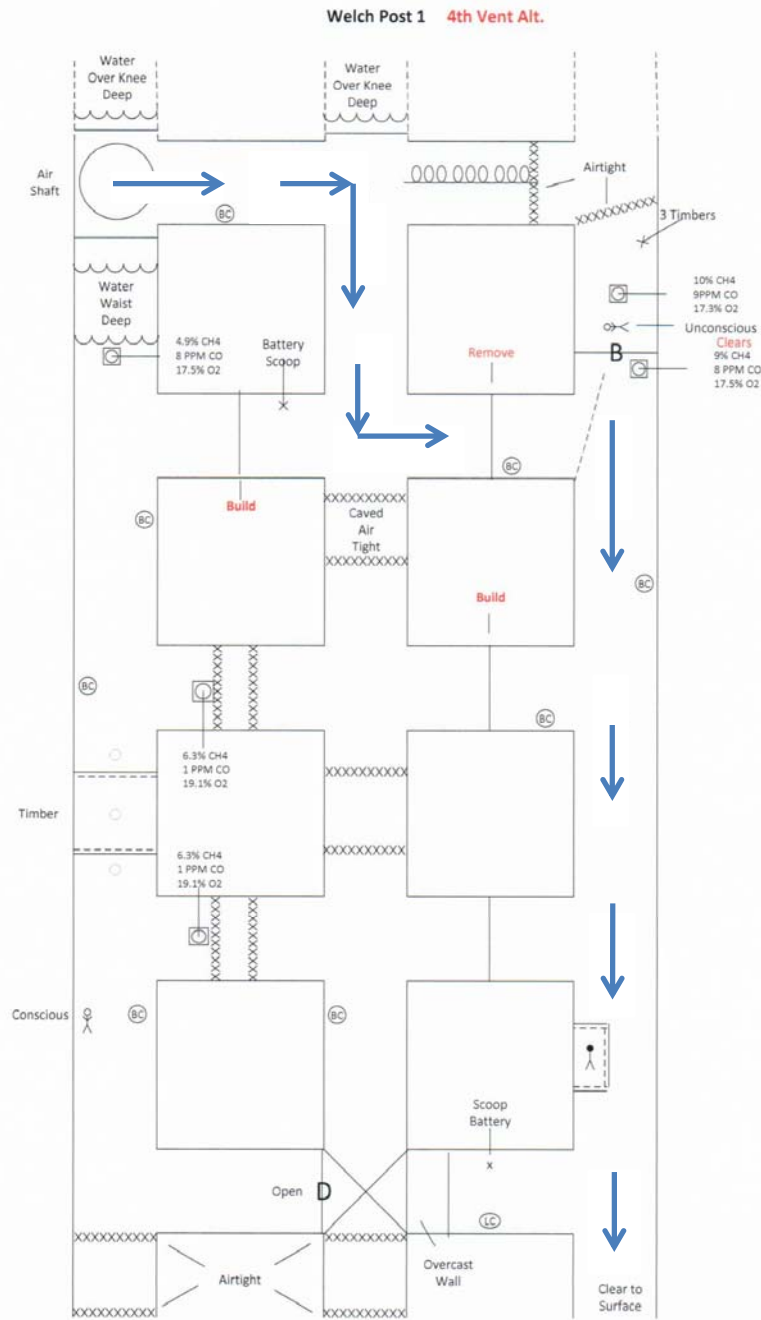


# 4th Ventilation





# 4th Ventilation Alt.



# 13<sup>th</sup> Annual Mine Rescue Problem

2019 Welch Post 1 Problem

